



CONFIDENTIAL

# Air Conditioner **SERVICE MANUAL** **(Exploded View)**

**MODEL : AMNQ12GTRA1**

## **CAUTION**

Before Servicing the unit, read the safety precautions in General SVC manual.  
Only for authorized service personnel.

# 1. Specification

Model Name				AMNQ12GTRA1
				TR
Power Supply			V, Ø, Hz	220-240, 1, 50
Power and Communication Cable (included Earth)	IDU ↔ ODU	VCTF-SB	-	0.75 x 4
Power Consumption		H / M / L	W	28 / 24 / 20
Running Current		H / M / L	A	0.32 / 0.30 / 0.28
		Max.	A	0.4
Air Flow Rate	Air Flow Rate	H / M / L	m <sup>3</sup> /min	9.5 / 8.0 / 7.0
	RPM	H / M / L	rev./m	710 / 610 / 550
Casing Color			-	Steel Gray
Dimensions	Body	W x H x D	mm	570 x 214 x 570
	Shipping	W x H x D	mm	667 x 285 x 646
Weight	Body		kg	12.4
	Shipping		kg	15.6
Heat Exchanger	(Row x Column x Fins per inch) x No.		-	(2 x 8 x 18) x 1
	Face Area		m <sup>2</sup>	0.22
Fan	Type		-	Turbo Fan
	Type		-	BLDC
Fan Motor	Drive		-	Internal
	Output		W x No.	43 x 1
Sound Pressure Level	Cooling	H / M / L	dB(A)	38 / 35 / 32
Sound Power Level	Cooling	Rated	dB(A)	52
Refrigerant			-	R410A
Piping Connections	Liquid		mm	Ø 6.35 (1/4)
	Gas		mm	Ø 9.52 (3/8)
	Connections Method		-	Flared
Drain	O.D. / I.D. (Drain Pump only)		mm	Ø 32.0 / 25.0
Max allowable pressure	High / Low Pressue Parts		Mpa	4.2 / 2.4
Safety Devices			-	Fuse
			-	Thermal Protector for Fan Motor
decoration Panel	Model Name		-	PT-QAGW0
	Color		-	White
	Dimensions	Body	mm	620 x 35 x 620
		Shipping	mm	688 x 127 x 673
	Weight	Body	kg	2.85
Shipping		kg	3.9	
Continuous operating temperature range	Cooling		°C (WB)	12 ~ 23
Available Warranty temperature Range	Cooling		°C (WB)	12 ~ 23

**Note :**

1. All data are based on the following conditions:

- Cooling Temperature : Indoor 27 °C(80.6 °F) DB / 19 °C(66.2 °F) WB  
Outdoor 35 °C(95 °F) DB / 24 °C(75.2 °F) WB
- Heating Temperature : Indoor 20 °C(68 °F) DB / 15 °C(59 °F) WB  
Outdoor 7 °C(44.6 °F) DB / 6 °C(42.8 °F) WB
- Piping Length : Interconnected Pipe Length = 7.5 m
- Difference Limit of Elevation (Outdoor ~ Indoor Unit) is Zero.

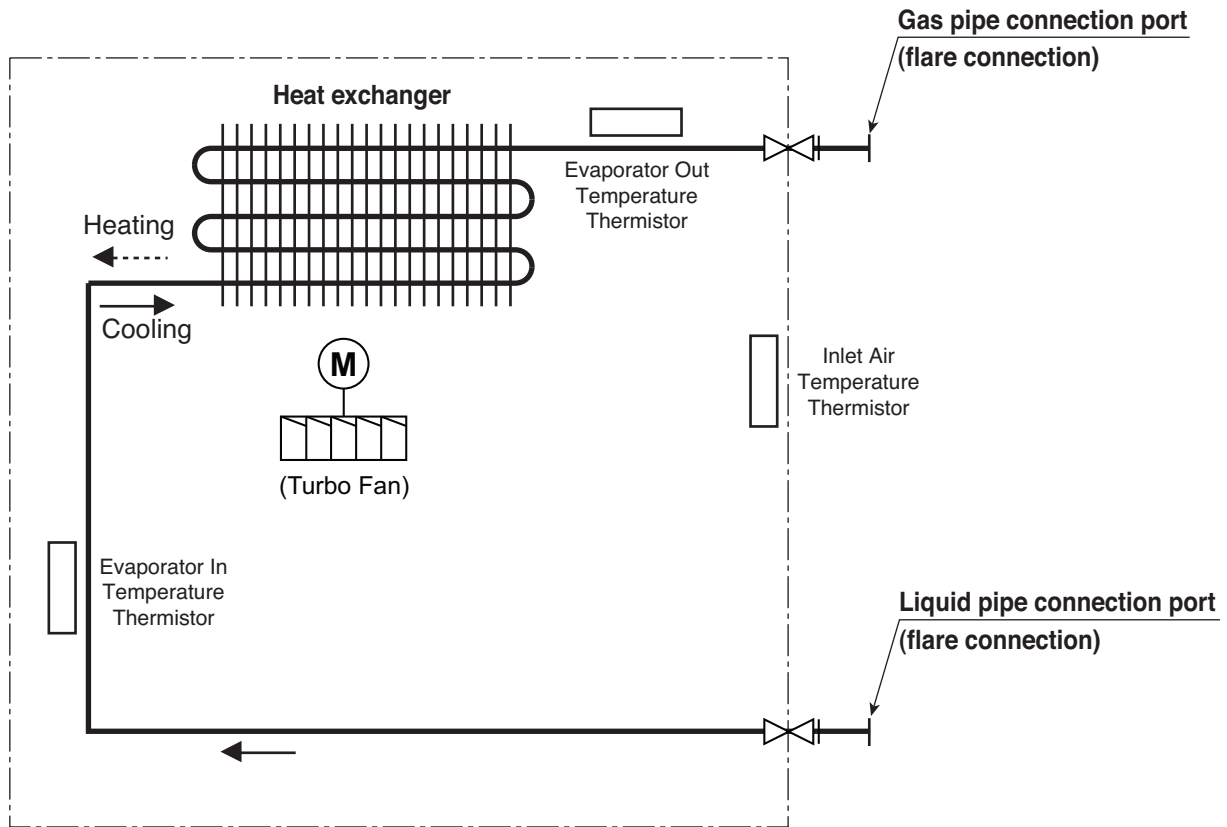
2. Wiring cable size must comply with the applicable local and national code.

3. Due to our policy of innovation some specifications may be changed without notification.

4. Sound Level Values are measured at Anechoic chamber.

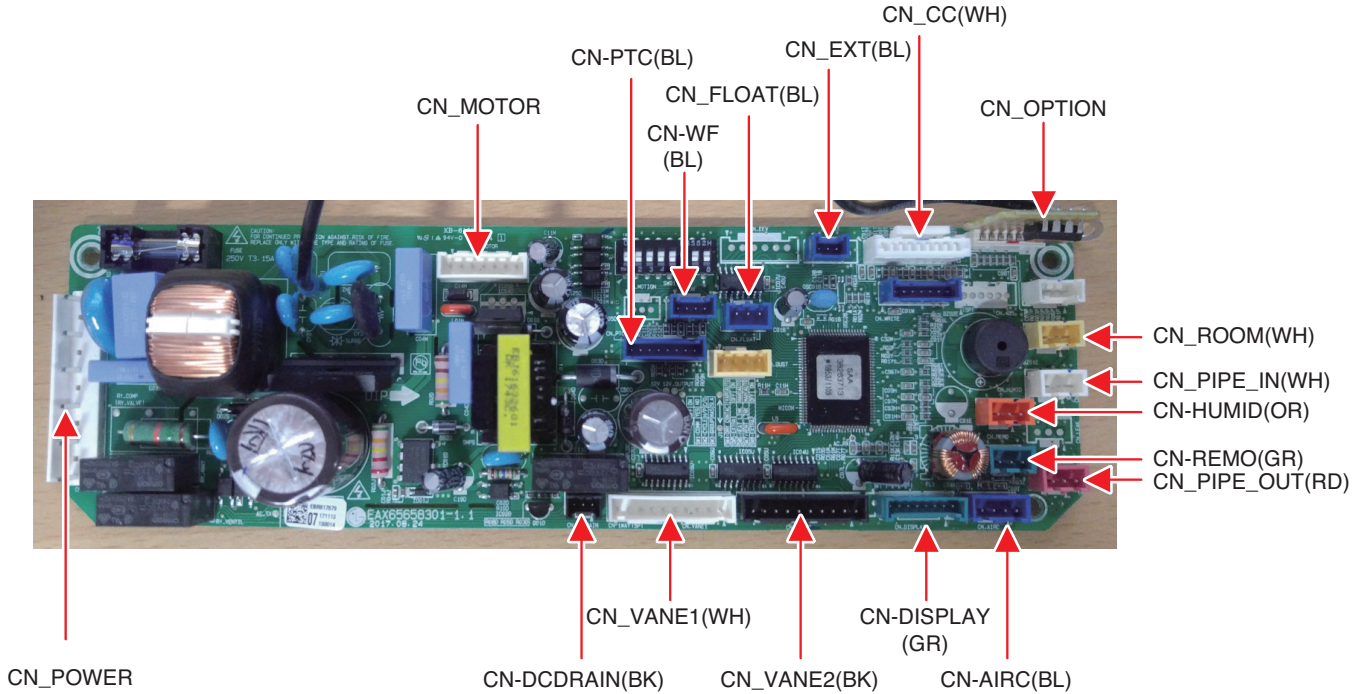
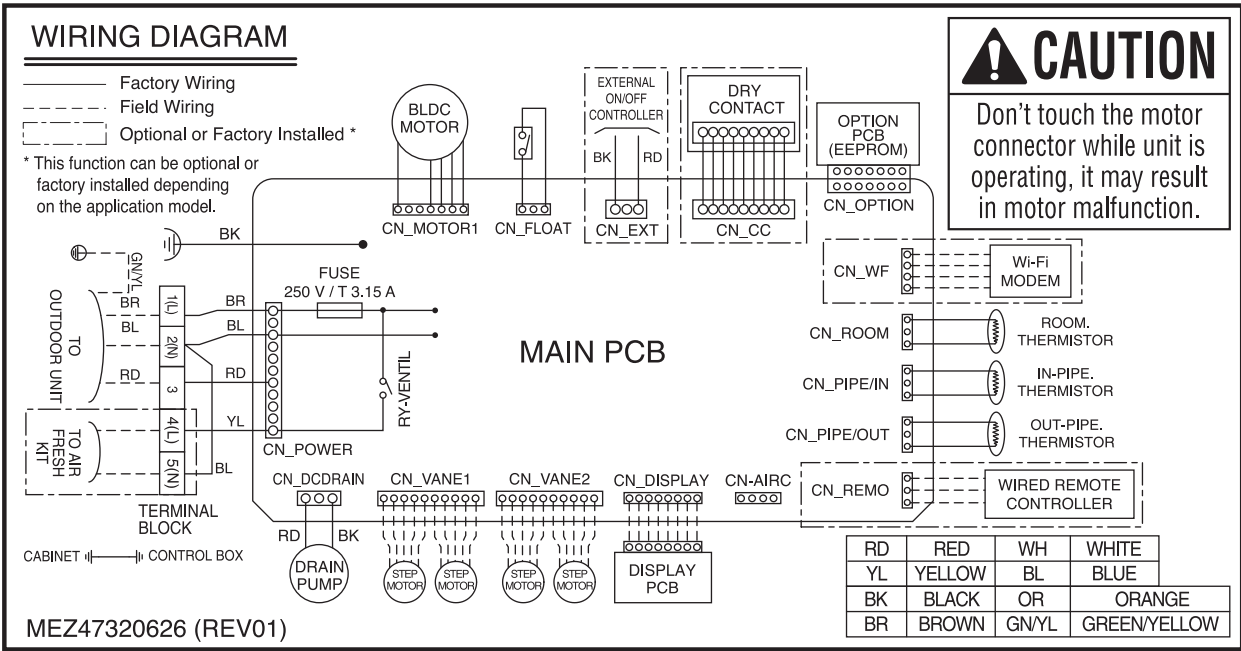
Therefore, these values can be increased (maximum 3 dB(A)) owing to ambient conditions during operation.

## 2. Piping Diagrams



Description	PCB Connector
Inlet Air Temperature Thermistor	CN-ROOM
Evaporator In Temperature Thermistor	CN-PIPE/IN
Evaporator Out Temperature Thermistor	CN-PIPE/OUT

# 3. Wiring Diagrams

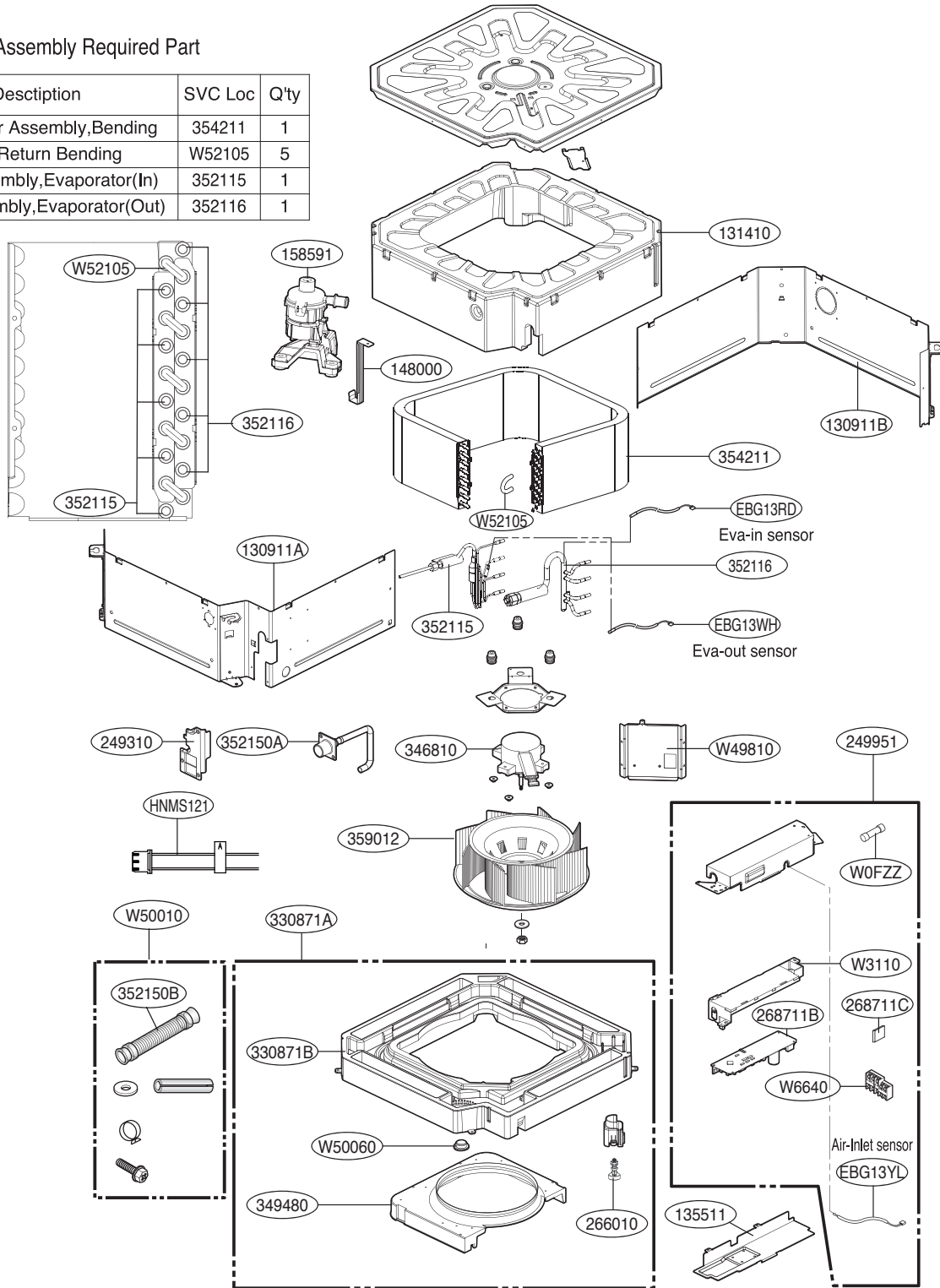


## 4. Exploded View

### Indoor Unit

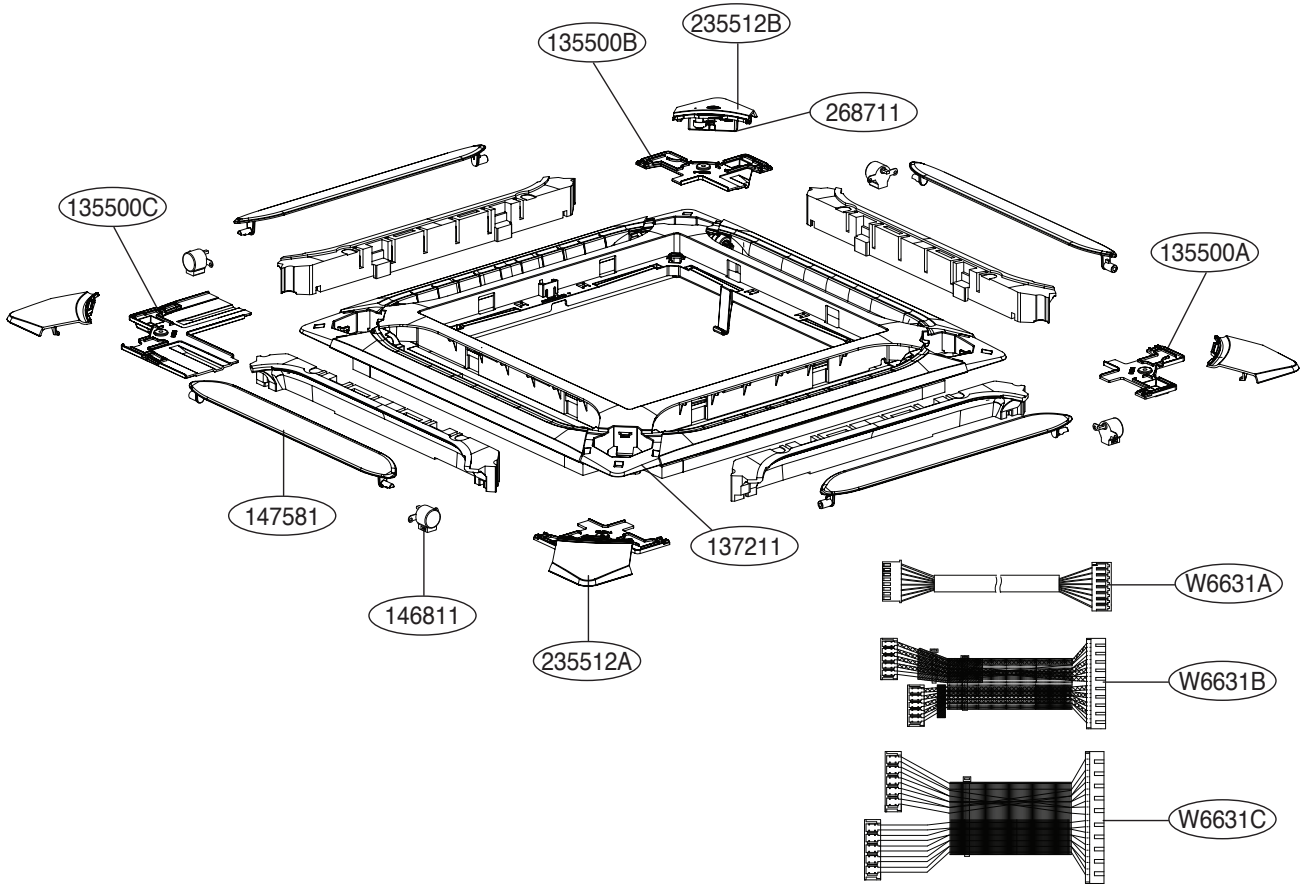
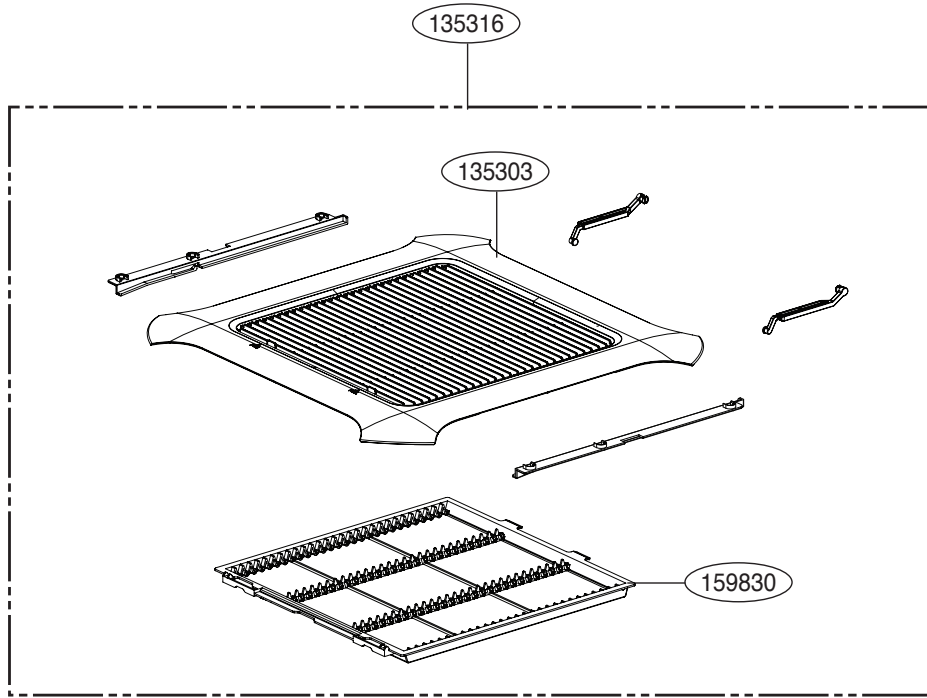
Evaporator Assembly Required Part

Description	SVC Loc	Q'ty
Evaporator Assembly,Bending	354211	1
Tube,Return Bending	W52105	5
Tube Assembly,Evaporator(In)	352115	1
Tube Assembly,Evaporator(Out)	352116	1



Location No.	Description	Sensor Information	Housing Color
EBG13YL	Thermistor1(CN_ROOM)	Air-Inlet	Yellow
EBG13WH	Thermistor2(CN_PIPE/IN)	Eva-in	White
EBG13RD	Thermistor3(CN_PIPE/OUT)	Eva-out	Red

# Front Panel (Accessory)





P/NO : MFL71683718