



CONFIDENTIAL

Air Conditioner

SERVICE MANUAL

(Exploded View)

MODEL : AMNQ18GTQA1

CAUTION

Before Servicing the unit, read the safety precautions in General SVC manual.
Only for authorized service personnel.

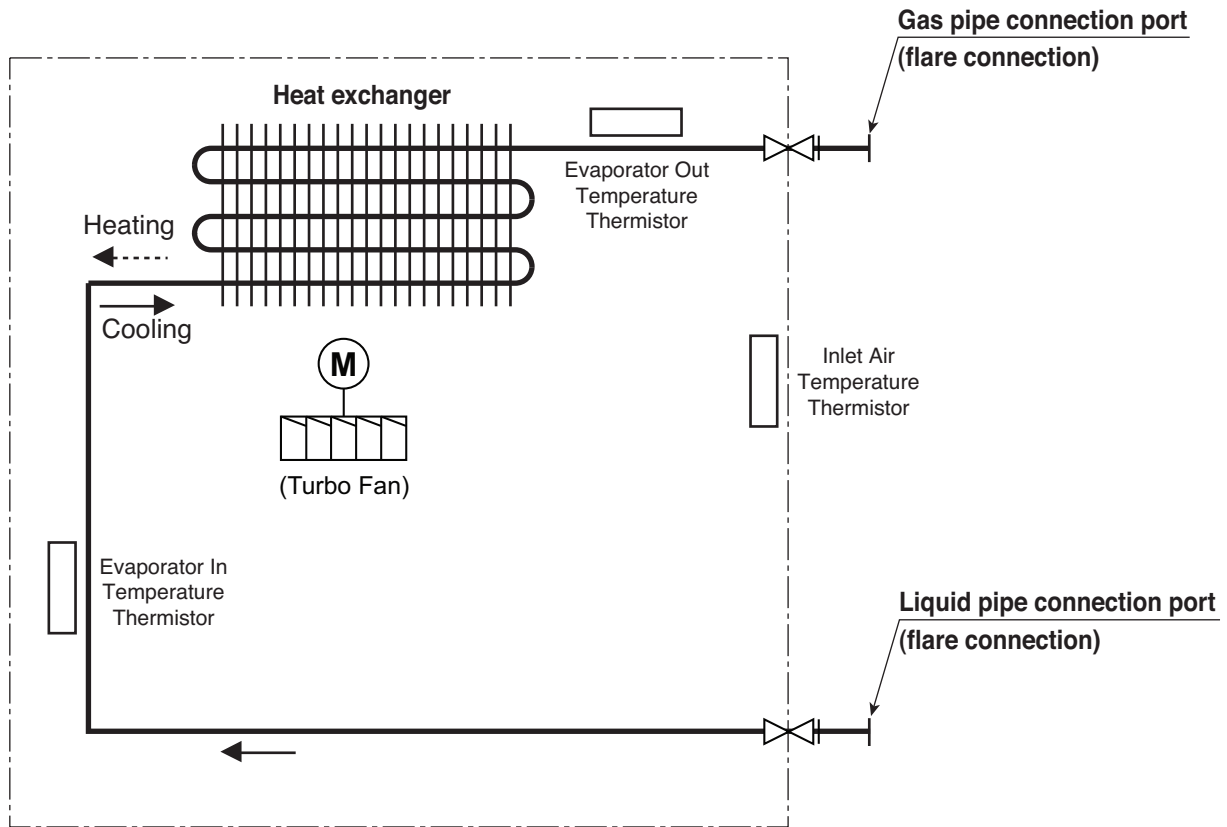
1. Specification

Model Name				AMNQ18GTQA1
				TQ
Power Supply		V, Ø, Hz		220-240, 1, 50
Power and Communication Cable (included Earth)	IDU ↔ ODU	VCTF-SB	mm ³ x Cores	0.75 x 4
Power Consumption		H / M / L	W	30 / 26 / 22
Running Current		H / M / L	A	0.33 / 0.31 / 0.29
		Max.	A	0.4
Air Flow Rate	Air Flow Rate	H / M / L	m ³ /min	13 / 12 / 11
	RPM	H / M / L	rev./m	670 / 620 / 580
Casing Color				Steel Gray
Dimensions	Body	W x H x D	mm	570 x 256 x 570
	Shipping	W x H x D	mm	667 x 327 x 646
Weight	Body			kg
	Shipping			kg
Heat Exchanger	(Row x Column x Fins per inch) x No.		-	(2 x 10 x 18) x 1
	Face Area		mm ²	0.28
Fan	Type		-	Turbo Fan
Fan Motor	Type		-	BLDC
	Drive		-	Internal
	Output		W x No.	43 x 1
Sound Pressure Level	Cooling	H / M / L	dB(A)	41 / 39 / 37
Sound Power Level	Cooling	Max.	dB(A)	57
Refrigerant				R410A
Piping Connections	Liquid		mm	Ø 6.35 (1/4)
	Gas		mm	Ø 12.7 (1/2)
	Connections Method		-	Flared
Drain	O.D. / I.D. (Drain Pump only)		mm	Ø 32.0 / 25.0
max allowable pressure	High / Low Pressue Parts		Mpa	4.2 / 2.4
Safety Devices				Fuse
				Thermal Protector for Fan Motor
decoration Panel	Model Name		-	PT-QAGW0
	Color		-	White
	Dimensions	Body	mm	620 x 35 x 620
		Shipping	mm	688 x127 x 673
	Weight	Body	kg	2.85
Shipping		kg	3.9	
continuous operating temperature range	Cooling		°C(WB)	12 ~ 23
Available Warranty temperature Range	Cooling		°C(WB)	12 ~ 23

Note :

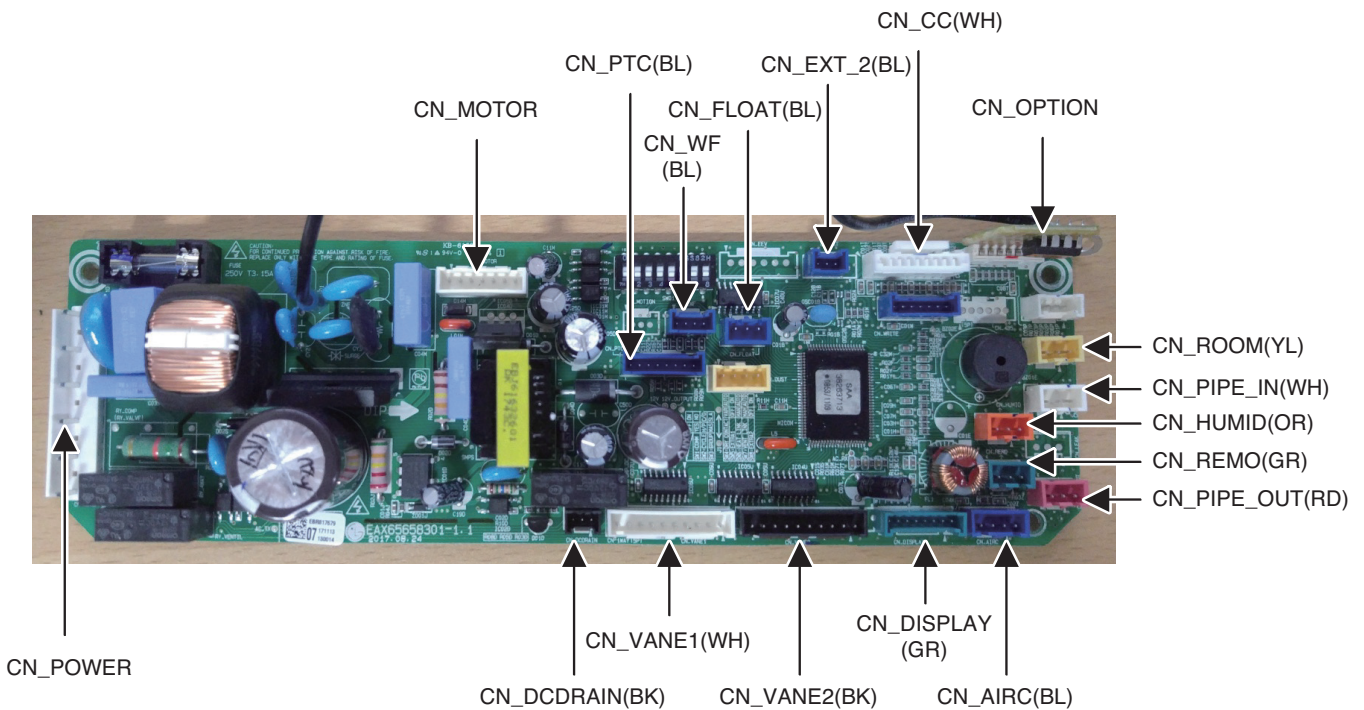
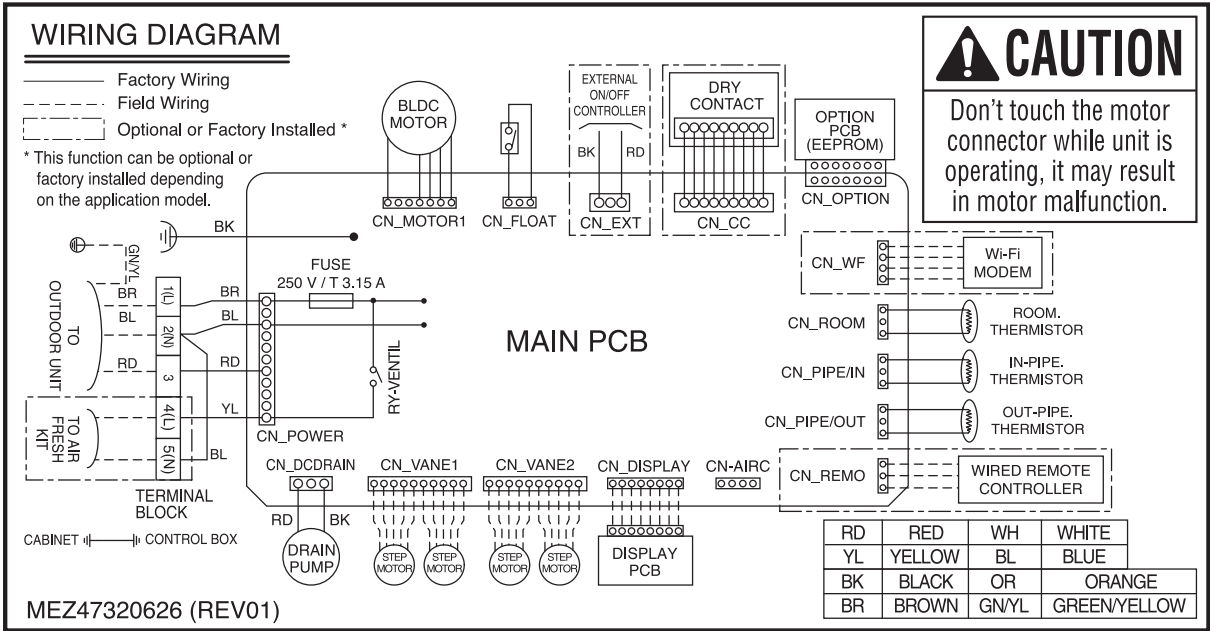
- All data are based on the following conditions:
 - Cooling Temperature : Indoor 27 °C(80.6 °F) DB / 19 °C(66.2 °F) WB
Outdoor 35 °C(95 °F) DB / 24 °C(75.2 °F) WB
 - Heating Temperature : Indoor 20 °C(68 °F) DB / 15 °C(59 °F) WB
Outdoor 7°C(44.6 °F) DB / 6°C(42.8 °F) WB
 - Piping Length : Interconnected Pipe Length = 7.5 m
 - Difference Limit of Elevation (Outdoor ~ Indoor Unit) is Zero.
- Wiring cable size must comply with the applicable local and national code.
- Due to our policy of innovation some specifications may be changed without notification.
- Sound Level Values are measured at Anechoic chamber.
Therefore, these values can be increased (maximum 3 dB(A)) owing to ambient conditions during operation.

2. Piping Diagrams



Description	PCB Connector
Inlet Air Temperature Thermistor	CN_ROOM
Evaporator In Temperature Thermistor	CN_PIPE_IN
Evaporator Out Temperature Thermistor	CN_PIPE_OUT

3. Wiring Diagrams

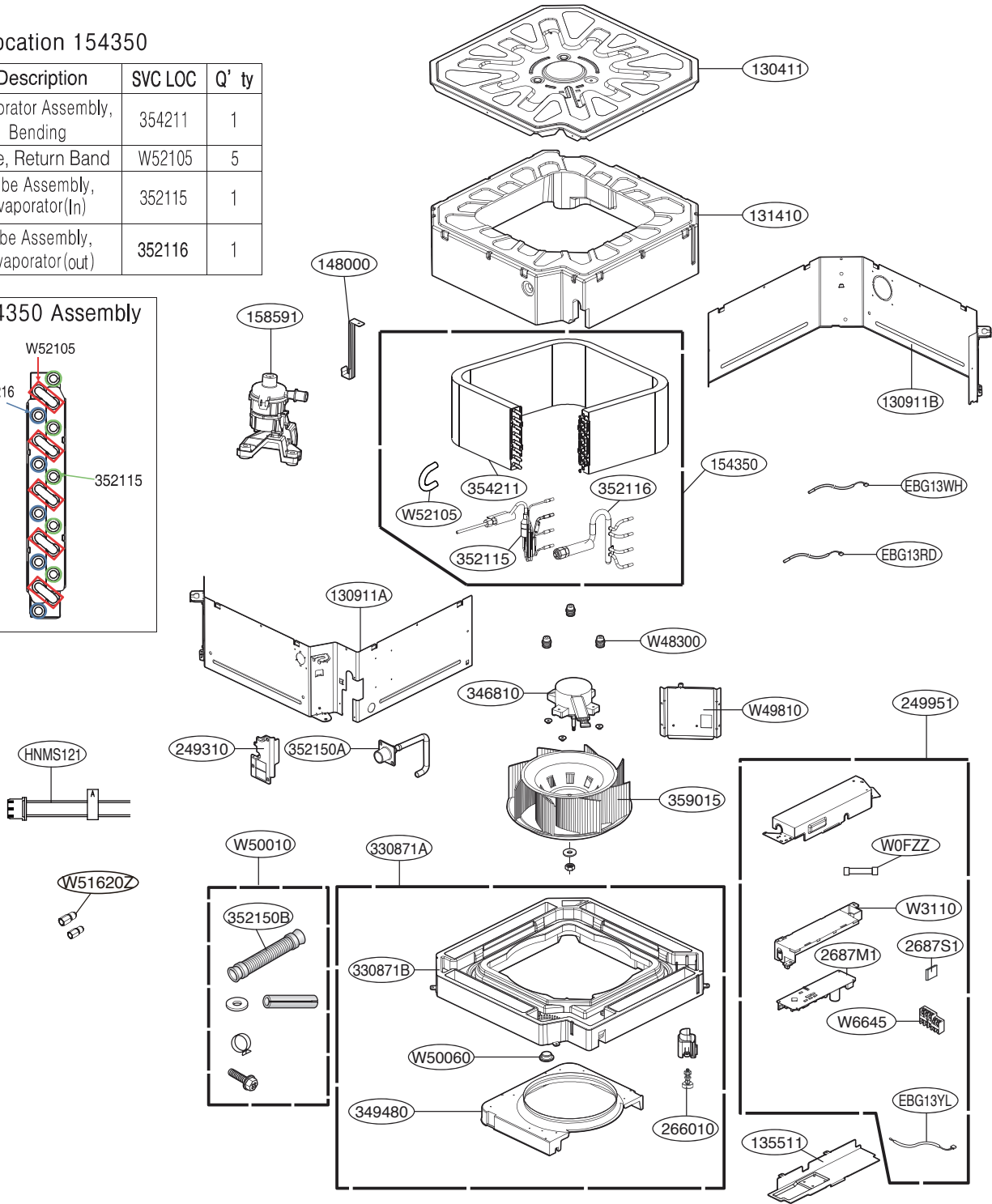
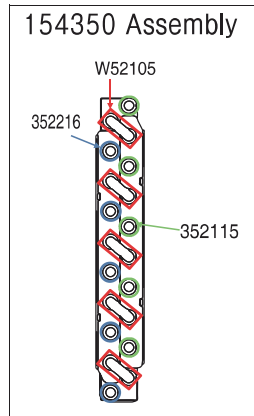


4. Exploded View

AMNQ18GTQA1

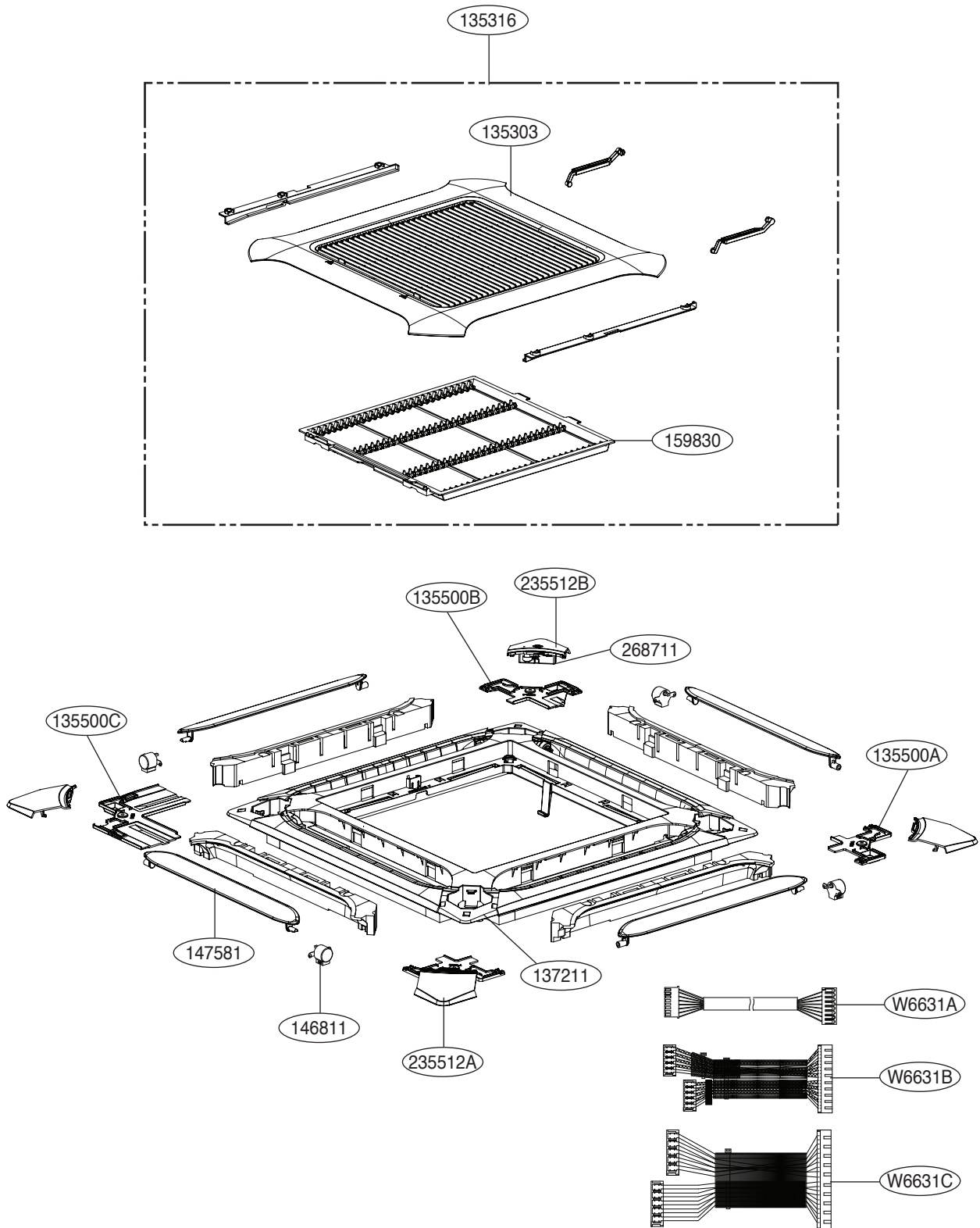
● Location 154350

Description	SVC LOC	Q' ty
Evaporator Assembly, Bending	354211	1
Tube, Return Band	W52105	5
Tube Assembly, Evaporator(In)	352115	1
Tube Assembly, Evaporator(out)	352116	1



Location No.	Description	Sensor Information	Housing Color
EBG13YL	Thermistor1(CN_ROOM)	Air-Inlet	Yellow
EBG13WH	Thermistor2(CN_PIPE/IN)	Eva-in	White
EBG13RD	Thermistor3(CN_PIPE/OUT)	Eva-out	Red

Front Panel (Accessory)





P/NO : MFL71683717